

Figure 16-14 Grease on Putty Knife

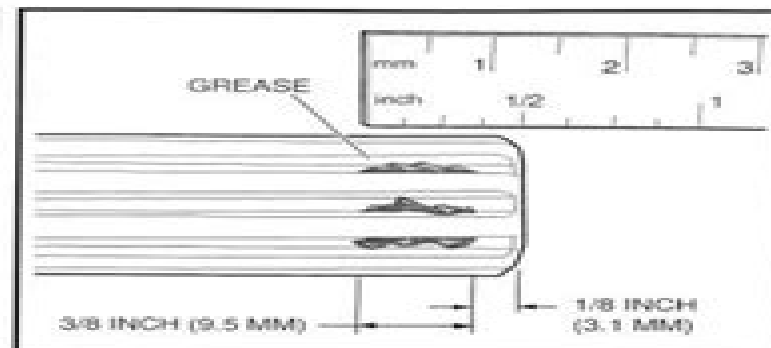


Figure 16-15 Application of grease to Input Shaft Grooves

2.6. Check the chamfer and end of the input shaft to ensure these areas are completely clean of grease as shown (Figure 16-16, Page 16-13).

3. Install the molded bumper.

3.1. With the flat side toward the bottom of the coupling, install the molded bumper (30) into the motor coupling (Figure 16-10, Page 16-8). See following NOTE.

NOTE: The motor coupling must be new and free of grease and debris.

3.2. Ensure that the installed bumper is seated at the bottom of the coupling.

4. Install motor on transaxle.

4.1. Slide the motor coupling onto the transaxle input shaft. See following NOTE.

NOTE: The coupling will push any excess grease on the input shaft along the shaft toward the transaxle. When the motor is pushed onto the input shaft, the motor adapter ring (1) will not bottom out against the transaxle housing (Figure 16-10, Page 16-8). There will be approximately 1/16 inch (1.6 mm) gap between the motor adapter ring and transaxle housing as shown (Figure 16-17, Page 16-13).

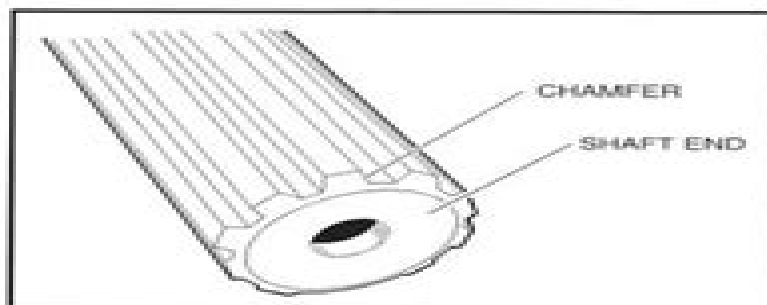


Figure 16-16 Clean Chamfer and Input Shaft End

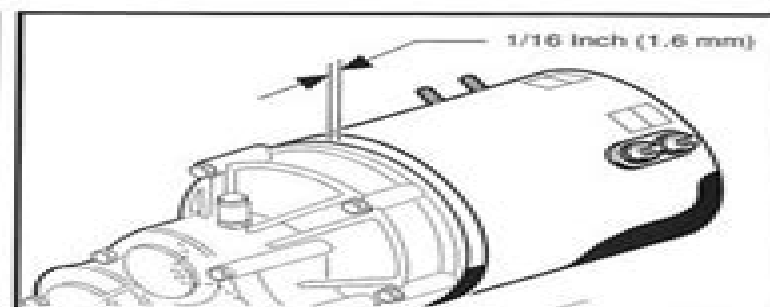


Figure 16-17 Gap at Motor and Transaxle

Club Car Instruction Manual

Michael Brown



Club Car Instruction Manual:

Life's Big Instruction Book CAROL; ELWOOD MADIGAN, ANN,2009-11-29 An entertaining guide to everything from the creators of The People's Almanac and The Book of Lists answers virtually any question that might arise in these information saturated times including how to choose a bank wear a condom and buy fish [Life's Little Instruction Book](#) H. Jackson Brown,2012-08-13 The #1 New York Times bestseller now in a fresh new format offering a new generation simple yet powerful wisdom The Life's Little Instruction Book series has sold more than ten million copies spent more than two years atop the New York Times bestseller list and has been translated into 33 languages Originally written from a father to a son the book offers insights simple suggestions heartfelt humor and reminders for readers of all ages This edition offers a new trim size and on trend design for a new generation [Racing Driver Sourcebook](#) , **The Wildwater Walking Club: Walk the Talk (#4)** Claire Cook,2022-12-12 From the New York Times bestselling author of the Must Love Dogs series Charming engagingly quirky and full of fun Claire Cook just gets it Meg Cabot Cook's poignancy and sassy humor resonate with readers her theme of reinvention uplifts and inspires Savannah Magazine The truth is most of us know what we should be doing by this point in our lives The trick is doing it actually walking that talk But even for The Wildwater Walking Club walking the talk is easier said than done when it's winter in New England and you're supposed to be rolling out of bed to walk the beach at the crack of dawn Noreen's buyout package benefits have run out out her health coaching business hasn't exactly taken off yet and she's really hoping she can walk her relationship talk with Rick Rosie is on overload with mom life and too many landscape design plans Just as Tess is trying to purge and downsize her borderline adult son boomerangs back Dashing from the snow to thaw out and reset in a last minute women's walking getaway to Savannah might be just what The Wildwater Walking Club friends need to take the next step Join Noreen Tess and Rosie on their most inspiring adventure yet You'll be lacing up your sneakers and walking your own talk in no time Claire Cook is wicked good Jacquelyn Mitchard The Wildwater Walking Club reminds us of what's important in life the joy of friendship the power of a brisk walk and of course the importance of a good book I couldn't put it down Anisha Lakhani The women of The Wildwater Walking Club are a delightful trio full of heart and determination As they literally put one foot in front of the other the three new friends find unlikely paths that point them toward more fulfilling lives Their journey left me genuinely inspired Jean Reynolds Page Claire Cook has an original voice sparkling style and a window into family life that will make you laugh and cry Adriana Trigiani Claire Cook infuses her novels with that sassy kind of offbeat humor that makes you giggle shake your head and then keep reading And isn't that what you want a beach book to do Florida Today Readers who enjoy a celebration of friendship will want to walk alongside the Wildwater trio Midwest Book Revue A beach tote couldn't ask for more Kirkus Claire Cook Must Love Dogs has built a brand writing light hearted women's fiction blending kernels of the absurd and comedic in compulsively readable combinations Shelf Awareness The Wildwater Walking Club is a quick smart read that will get you

thinking about walking friendship and making time for the things you love Book Reporter Go to ClaireCook.com for your free gift 41 Essential Quotes To Get Your Glow On exclusively for newsletter subscribers You'll also be the first to find out when Claire's next book comes out and stay in the loop for giveaways and insider extras *Motor Cycling and Motoring*, 1911

Monthly Bulletin St. Louis Public Library, 1916 *Popular Mechanics*, 1961-07 Popular Mechanics inspires instructs and influences readers to help them master the modern world Whether it's practical DIY home improvement tips gadgets and digital technology information on the newest cars or the latest breakthroughs in science PM is the ultimate guide to our high tech lifestyle **Catalog of Copyright Entries. Third Series** Library of Congress. Copyright Office, 1959 Includes Part 1 Number 2 Books and Pamphlets Including Serials and Contributions to Periodicals July December **Horseless Carriage Club Gazette**, 1962 **Dun-Camp's Tour Manual ...**, 1929

Immerse yourself in heartwarming tales of love and emotion with its touching creation, **Club Car Instruction Manual** . This emotionally charged ebook, available for download in a PDF format (Download in PDF: *), is a celebration of love in all its forms. Download now and let the warmth of these stories envelop your heart.

<http://www.digitalistmags.com/results/virtual-library/HomePages/Crocheting%20Adventures%20With%20Hyperbolic%20Planes.pdf>

Table of Contents Club Car Instruction Manual

1. Understanding the eBook Club Car Instruction Manual
 - The Rise of Digital Reading Club Car Instruction Manual
 - Advantages of eBooks Over Traditional Books
2. Identifying Club Car Instruction Manual
 - Exploring Different Genres
 - Considering Fiction vs. Non-Fiction
 - Determining Your Reading Goals
3. Choosing the Right eBook Platform
 - Popular eBook Platforms
 - Features to Look for in an Club Car Instruction Manual
 - User-Friendly Interface
4. Exploring eBook Recommendations from Club Car Instruction Manual
 - Personalized Recommendations
 - Club Car Instruction Manual User Reviews and Ratings
 - Club Car Instruction Manual and Bestseller Lists
5. Accessing Club Car Instruction Manual Free and Paid eBooks
 - Club Car Instruction Manual Public Domain eBooks
 - Club Car Instruction Manual eBook Subscription Services
 - Club Car Instruction Manual Budget-Friendly Options

6. Navigating Club Car Instruction Manual eBook Formats
 - ePub, PDF, MOBI, and More
 - Club Car Instruction Manual Compatibility with Devices
 - Club Car Instruction Manual Enhanced eBook Features
7. Enhancing Your Reading Experience
 - Adjustable Fonts and Text Sizes of Club Car Instruction Manual
 - Highlighting and Note-Taking Club Car Instruction Manual
 - Interactive Elements Club Car Instruction Manual
8. Staying Engaged with Club Car Instruction Manual
 - Joining Online Reading Communities
 - Participating in Virtual Book Clubs
 - Following Authors and Publishers Club Car Instruction Manual
9. Balancing eBooks and Physical Books Club Car Instruction Manual
 - Benefits of a Digital Library
 - Creating a Diverse Reading Collection Club Car Instruction Manual
10. Overcoming Reading Challenges
 - Dealing with Digital Eye Strain
 - Minimizing Distractions
 - Managing Screen Time
11. Cultivating a Reading Routine Club Car Instruction Manual
 - Setting Reading Goals Club Car Instruction Manual
 - Carving Out Dedicated Reading Time
12. Sourcing Reliable Information of Club Car Instruction Manual
 - Fact-Checking eBook Content of Club Car Instruction Manual
 - Distinguishing Credible Sources
13. Promoting Lifelong Learning
 - Utilizing eBooks for Skill Development
 - Exploring Educational eBooks
14. Embracing eBook Trends
 - Integration of Multimedia Elements

- Interactive and Gamified eBooks

Club Car Instruction Manual Introduction

In the digital age, access to information has become easier than ever before. The ability to download Club Car Instruction Manual has revolutionized the way we consume written content. Whether you are a student looking for course material, an avid reader searching for your next favorite book, or a professional seeking research papers, the option to download Club Car Instruction Manual has opened up a world of possibilities. Downloading Club Car Instruction Manual provides numerous advantages over physical copies of books and documents. Firstly, it is incredibly convenient. Gone are the days of carrying around heavy textbooks or bulky folders filled with papers. With the click of a button, you can gain immediate access to valuable resources on any device. This convenience allows for efficient studying, researching, and reading on the go. Moreover, the cost-effective nature of downloading Club Car Instruction Manual has democratized knowledge. Traditional books and academic journals can be expensive, making it difficult for individuals with limited financial resources to access information. By offering free PDF downloads, publishers and authors are enabling a wider audience to benefit from their work. This inclusivity promotes equal opportunities for learning and personal growth. There are numerous websites and platforms where individuals can download Club Car Instruction Manual. These websites range from academic databases offering research papers and journals to online libraries with an expansive collection of books from various genres. Many authors and publishers also upload their work to specific websites, granting readers access to their content without any charge. These platforms not only provide access to existing literature but also serve as an excellent platform for undiscovered authors to share their work with the world. However, it is essential to be cautious while downloading Club Car Instruction Manual. Some websites may offer pirated or illegally obtained copies of copyrighted material. Engaging in such activities not only violates copyright laws but also undermines the efforts of authors, publishers, and researchers. To ensure ethical downloading, it is advisable to utilize reputable websites that prioritize the legal distribution of content. When downloading Club Car Instruction Manual, users should also consider the potential security risks associated with online platforms. Malicious actors may exploit vulnerabilities in unprotected websites to distribute malware or steal personal information. To protect themselves, individuals should ensure their devices have reliable antivirus software installed and validate the legitimacy of the websites they are downloading from. In conclusion, the ability to download Club Car Instruction Manual has transformed the way we access information. With the convenience, cost-effectiveness, and accessibility it offers, free PDF downloads have become a popular choice for students, researchers, and book lovers worldwide. However, it is crucial to engage in ethical downloading practices and prioritize personal security when utilizing online platforms. By doing so, individuals can make the most of the vast array of free PDF resources available and embark on a journey of continuous

learning and intellectual growth.

FAQs About Club Car Instruction Manual Books

How do I know which eBook platform is the best for me? Finding the best eBook platform depends on your reading preferences and device compatibility. Research different platforms, read user reviews, and explore their features before making a choice. Are free eBooks of good quality? Yes, many reputable platforms offer high-quality free eBooks, including classics and public domain works. However, make sure to verify the source to ensure the eBook credibility. Can I read eBooks without an eReader? Absolutely! Most eBook platforms offer webbased readers or mobile apps that allow you to read eBooks on your computer, tablet, or smartphone. How do I avoid digital eye strain while reading eBooks? To prevent digital eye strain, take regular breaks, adjust the font size and background color, and ensure proper lighting while reading eBooks. What the advantage of interactive eBooks? Interactive eBooks incorporate multimedia elements, quizzes, and activities, enhancing the reader engagement and providing a more immersive learning experience. Club Car Instruction Manual is one of the best book in our library for free trial. We provide copy of Club Car Instruction Manual in digital format, so the resources that you find are reliable. There are also many Ebooks of related with Club Car Instruction Manual. Where to download Club Car Instruction Manual online for free? Are you looking for Club Car Instruction Manual PDF? This is definitely going to save you time and cash in something you should think about. If you trying to find then search around for online. Without a doubt there are numerous these available and many of them have the freedom. However without doubt you receive whatever you purchase. An alternate way to get ideas is always to check another Club Car Instruction Manual. This method for see exactly what may be included and adopt these ideas to your book. This site will almost certainly help you save time and effort, money and stress. If you are looking for free books then you really should consider finding to assist you try this. Several of Club Car Instruction Manual are for sale to free while some are payable. If you arent sure if the books you would like to download works with for usage along with your computer, it is possible to download free trials. The free guides make it easy for someone to free access online library for download books to your device. You can get free download on free trial for lots of books categories. Our library is the biggest of these that have literally hundreds of thousands of different products categories represented. You will also see that there are specific sites catered to different product types or categories, brands or niches related with Club Car Instruction Manual. So depending on what exactly you are searching, you will be able to choose e books to suit your own need. Need to access completely for Campbell Biology Seventh Edition book? Access Ebook without any digging. And by having access to our ebook online or by storing it on your computer, you have convenient answers with Club Car Instruction Manual To get started finding Club Car Instruction Manual, you are right to

find our website which has a comprehensive collection of books online. Our library is the biggest of these that have literally hundreds of thousands of different products represented. You will also see that there are specific sites catered to different categories or niches related with Club Car Instruction Manual So depending on what exactly you are searching, you will be able to choose ebook to suit your own need. Thank you for reading Club Car Instruction Manual. Maybe you have knowledge that, people have search numerous times for their favorite readings like this Club Car Instruction Manual, but end up in harmful downloads. Rather than reading a good book with a cup of coffee in the afternoon, instead they juggled with some harmful bugs inside their laptop. Club Car Instruction Manual is available in our book collection an online access to it is set as public so you can download it instantly. Our digital library spans in multiple locations, allowing you to get the most less latency time to download any of our books like this one. Merely said, Club Car Instruction Manual is universally compatible with any devices to read.

Find Club Car Instruction Manual :

[crocheting adventures with hyperbolic planes](#)

cross talk where life and scripture meet

crochet baby cowboy hat pattern

critique of everyday life vol 2 foundations for

[critical survey of mystery and detective fiction authors 4 volume set](#)

[critical chain project management artech house professional development library](#)

cross entropy method theory with applications

crown 35rrtt service manual

[critical essays on langston hughes critical essays on american literature](#)

crude the story of oil

[crossfire forum 05 roadster recalls](#)

[crochet stitch dictionary 200 essential stitches with step by step photos sarah hazell](#)

[crown electric pallet jack manual](#)

crudens complete concordance zondervan classic reference series

[crowdinvesting identifikation erfolgsk Faktoren mikroinvestoren sterreich](#)

Club Car Instruction Manual :

[la pierre de tu hadj tome 1 le sang d arion by alexandre](#) - Feb 26 2022

web jun 27 2023 la pierre de tu hadj tome 1 le sang d arion by alexandre malagoli is accessible in our pdf collection an online access to it is set as public so you can get it promptly you have persisted in right site to begin getting this details you could rapidly obtain this la pierre de tu

[le sang d arion la pierre du tu hadj tome 1 amazon fr](#) - Jun 13 2023

web noté 5 retrouvez le sang d arion la pierre du tu hadj tome 1 et des millions de livres en stock sur amazon fr achetez neuf ou d occasion

[télécharger pdf la pierre de tu hadj tome 1 le sang gratuit](#) - Aug 03 2022

web oct 19 1999 la pierre de tu hadj tome 1 le sang d arion de alexandre malagoli télécharger l empire s effondre l empire s enflamme les cadavres jonchent déjà les steppes autour de youbengrad la main du destin s est refermée sur ces terres oppressées par les provinces voisines et tiraillées par les querelles

la pierre de tu hadj tome 1 le sang d arion la pierre du tu - Jul 14 2023

web la pierre de tu hadj tome 1 le sang d arion la pierre du tu hadj tome 1 alexandre malagoli lgf des milliers de livres avec la livraison chez vous en 1 jour ou en magasin avec 5 de réduction

[la pierre de tu hadj tome 1 le sang d arion label emmaüs](#) - Jan 28 2022

web la main du destin s est refermée chinez partout chinez en ligne près de chez vous en saisissant votre code postal les produits seront triés du plus près au plus loin de chez vous saisissez votre code postal se souvenir de mon code postal pour les autres visites enregistrer

le sang d arion la pierre du tu hadj tome 1 hachette fr - Mar 10 2023

web jun 13 2007 au cœur d un empire en pleine déliquescence wilf n est qu un gamin des rues luttant pour sa survie quand il croise la lignée d arion s est éteinte mais les le sang d arion la pierre du tu hadj tome 1 hachette fr

[la pierre de tu hadj tome 1 le sang d arion booknode](#) - Feb 09 2023

web découvrez la pierre de tu hadj tome 1 le sang d arion de alexandre malagoli sur booknode la communauté du livre

[la pierre de tu hadj tome 1 le sang d arion by alexandre](#) - Mar 30 2022

web éternité de la renaissance au xviiiè siècle la pierre de tu hadj tome 1 le sang d arion la pierre du tu hadj tome 1 roman poche tome 1 la pierre de tu hadj alexandre malagoli bon plan 10 16 20 18 les univers livres voir aussi livres livres adolescents bragelonne heureux tous l univers la pierre de tu hadj à la fnac

la pierre de tu hadj tome 1 le sang d arion label emmaüs - Dec 27 2021

web la pierre de tu hadj tome 1 le sang d arion l empire s effondre l empire s enflamme les cadavres jonchent déjà les

livre le sang d arion la pierre du tu hadj tome 1 alexandre - Oct 05 2022

web jun 13 2007 découvrez et achetez la pierre de tu hadj 1 le sang d arion la pi alexandre malagoli le livre de poche sur leslibraires fr

la pierre de tu hadj tome 1 le sang d arion fnac - Apr 11 2023

web la pierre de tu hadj tome 1 le sang d arion alexandre malagoli mnemos eds des milliers de livres avec la livraison chez vous en 1 jour ou en magasin avec 5 de réduction la pierre de tu hadj tome 1 le sang d arion alexandre malagoli broché

la pierre du tu hadj tome 1 by alexandre malagoli goodreads - Apr 30 2022

web feb 26 2003 1 es rois magiciens de la terre d arion ont été les artisans de la grande folie qui faillit précipiter le monde à sa perte plusieurs siècles ont passé la lignée d arion s est éteinte mais les magiciens demeurent depuis ce jour une caste honnie et persécutée

la pierre de tu hadj tome 1 et 2 le sang d arion babelio - Aug 15 2023

web jun 13 2007 critiques 6 citations extraits de la pierre de tu hadj tome 1 et 2 le sang d ario de alexandre malagoli wilf est un jeune brigand d une bourgade dans un monde où la magie a

ebook la pierre de tu hadj tome 1 le sang d arion - Jul 02 2022

web la terre et le sang jul 18 2021 un couple qui a quitté la france entre dans ighil nezman un misérable village comme il y en a tant sur les crêtes du haut pays kabyle l espoir d une existence neuve a poussé au départ ces époux marie jeune parisienne que la vie a meurtrie et amer qui revient vivre parmi les siens marie mènera une

le sang d arion la pierre du tu hadj tome 1 le livre de poche - Dec 07 2022

web au cœur d un empire en pleine déliquescence wilf n est qu un gamin des rues luttant pour sa survie quand il croise la route de cruel voit l impitoyable maître tueur qui décide de faire de lui son apprenti

la pierre de tu hadj tome 1 le sang d arion livre broché - Jun 01 2022

web la pierre de tu hadj tome 1 le sang d arion malagoli alexandre amazon ca livres

la pierre de tu hadj tome 1 le sang d arion amazon fr - May 12 2023

web ce volume qui réunit les deux premiers livres de la saga le sang d arion et les voix de la mer est un petit chef d oeuvre il s agit à proprement dit d une saga initiatique qui concerne deux personnages principaux wilf le petit voleur et lucas le moine novice

le sang d arion la pierre de tu hadj tome 1 par yahndrev - Nov 06 2022

web apr 21 2012 le sang d arion la pierre de tu hadj tome 1 par yahndrev un roman de fantasy dans le genre épopée initiatique plutôt agréable à lire avec quelques bonnes idées la lutte des héros contre des dieux et leurs religions à quelque chose de réjouissant mais le tout est étrangement articulé

le sang d arion la pierre du tu hadj tome 1 abebooks - Jan 08 2023

web abebooks com le sang d arion la pierre du tu hadj tome 1 9782253118022 by malagoli alexandre and a great selection of similar new used and collectible books available now at great prices

le sang d arion la pierre de tu hadj tome 1 senscritique - Sep 04 2022

web le sang d arion la pierre de tu hadj tome 1 est un livre de alexandre malagoli résumé le chemin de lucas le brillant séminariste a rejoint celui de wilf qui

the book of shadows tarot pdf scribd - Jul 16 2023

web the book of shadows tarot read online for free scribd is the world s largest social reading and publishing site the book of shadows tarot uploaded by gawrylczuk

read pdf epub download the book of shadows tarot - Apr 01 2022

web download the book of shadows tarot book paperback book 1 199 000 hotels apartments b b and hostels the book was released in 1988 download the book of

the book of shadows tarot by moore barbara amazon co uk - Jun 15 2023

web the book of shadows tarot is made of two decks as above exploring pagan beliefs and the divine world and so below which explores how beliefs and energies manifest on the

the book of shadows tarot book pdf download youbookinc com - Nov 08 2022

web download book of shadows tarot kit book in pdf epub and kindle this powerful tarot is lovingly crafted upon wiccan beliefs and practices on this magical journey you ll

download the book of shadows tarot book paperback - May 02 2022

web download living philosophy a historical introduct download bsbfim601a manage finances assessment ans read online etudes sur les terres saintes library

the book of shadows tarot volume 1 as above llewellyn - Sep 06 2022

web jan 28 2013 the first is key v in traditional tarot it is called the hierophant and in some pagan decks the high priest i call it the book of shadows a book where write down

book of shadows tarot complete edition paperback amazon com - Aug 17 2023

web jan 1 2014 this new complete edition for the first time includes in a single package the two tarot decks and the beautiful book by barbara moore 2 packs 78 full colour cards

the book of shadows tarot 1 cards 15 jan 2013 - Dec 09 2022

web buy the book of shadows tarot 1 by moore barbara isbn 9780738735641 from amazon s book store everyday low prices and free delivery on eligible orders

the book of shadows complete kit by barbara moore goodreads - Mar 12 2023

web sep 8 2017 the book of shadows tarot is made of two decks as above exploring pagan beliefs and the divine world and so below which explores how beliefs and

pdf epub download dark shadows the complete paperback - Nov 27 2021

web nov 16 2023 download at full speed with unlimited bandwidth dark shadows the complete paperback library reprint book 31 barnabas quentin and the hidden tomb

the book of shadows tarot so below for ios cnet download - Jan 30 2022

web download the book of shadows tarot so below for ios to the book of shadows so below expresses the archetypal meanings of the tarot with scenes taken directly from

book of shadows tarot paperback 8 sept 2012 amazon co uk - Feb 11 2023

web buy book of shadows tarot reprint by moore barbara krisinsky grzegorz gabrielli simone rivolli franco mambro pietro scola di isbn 9780738735122 from amazon s

book of shadows tarot complete edition paperback □□□ □□□□□□ - Jul 04 2022

web buy book of shadows tarot complete edition online on amazon eg at best prices fast and free shipping free returns cash on delivery available on eligible purchase

barbara moore open library - Aug 05 2022

web aug 27 2008 author of national gal of art washin map guide shadowscapes tarot deck shadowscapes tarot pagan magical kit with pagan tarot cards and candles

book of shadows tarot complete edition contains 2 tarot - Apr 13 2023

web may 11 2017 buy book of shadows tarot complete edition contains 2 tarot packs of 78 cards each and 160 page book complete edition by barbara moore grzegorz

download the of shadows tarot paperback pdf - Jun 03 2022

web download the of shadows tarot paperback a literary masterpiece that delves deep to the significance of words and their effect on our lives written by a renowned author this

the book of shadows tarot amazon com au books - May 14 2023

web 13 new from 67 80 the book of shadows tarot is made of two decks as above exploring pagan beliefs and the divine world and so below which explores how beliefs

download book of shadows tarot as above app free on pc - Oct 27 2021

web nov 9 2022 the book of shadows as above is indeed an unusual tarot inspired by modern wicca and written by barbara moore as above takes tarot to a new meta level

the book of shadows tarot complete edition kit - Oct 07 2022

web the book of shadows consists of two tarot decks following the wicca law of as above so below one deck centers on wicca beliefs and the spiritual world the second on the

the book of shadows tarot book paperback september 8 - Feb 28 2022

web sep 8 2012 the book of shadows tarot book lo scarabeo on amazon com free shipping on qualifying offers the book of shadows tarot book

the book of shadows tarot moore barbara amazon sg books - Sep 18 2023

web the book of shadows tarot is made of two decks as above exploring pagan beliefs and the divine world and so below which explores how beliefs and energies manifest on the

in the play of shadows the tarot effect paperback - Dec 29 2021

web in the play of shadows the tarot effect tahoe tc on amazon com au free shipping on eligible orders in the play of shadows the tarot effect

the book of shadows complete kit booktopia - Jan 10 2023

web sep 8 2017 the book of shadows tarot is made of two decks as above exploring pagan beliefs and the divine world and so below which explores how beliefs and

book of shadows tarot complete edition paperback 23 april 2017 - Oct 19 2023

web book of shadows tarot complete edition moore barbara barbara moore krysinski grzegorz gabrielli simone simone gabrielli ariganello sabrina sabrina ariganello

the judges wife by isabel allende full text book marjorie agosín - Aug 02 2022

web the judges wife by isabel allende full text pdf book the judges wife by isabel allende pdf 15 tworsoftnanquo short story analysis the judge s wife by isabel

the judges wife by isabel allende full text pdf book - Mar 09 2023

web the judges wife by isabel allende full text book the judges wife by isabel allende full text book 3 downloaded from nysm pfi org on 2021 07 20 by guest memories

the judge s wife by isabel allende pdf 15 weebly - Nov 05 2022

web the judge s wife isabel allende pdf by s amago 2000 cited by 7 tony spanos asks an interesting question in isabel allende s the judge s wife heroine or female

the judge s wife isabel allende granta magazine - Aug 14 2023

web the judges wife by isabel allende full text pdf the judges wife by isabel allende full text pdf 1 downloaded from donate pfi org on 2020 05 31 by guest this is likewise one

the judges wife by isabel allende full text pdf book copy - Dec 26 2021

web jul 4 2023 summary of isabel allende s the soul of a woman everest media 2022 03 04t22 59 00z please note this is a companion version not the original book sample

[the judges wife by isabel allende full text pdf book pdf](#) - Apr 10 2023

web the judges wife by isabel allende full text pdf book the judge s wife isabel allende speedypaper com the judge s wife by isabel allende free essays the

[the judge s wife by isabel allende 15 pdf hiryoussi peatix](#) - Sep 03 2022

web discover and share books you love on goodreads

the judge s wife isabel allende essay sample - Dec 06 2022

web isabel allende uswe linda gould levine 2002 isabel allende is considered latin america s most acclaimed woman writer a status she has archived by imbuing her work

[loading interface goodreads](#) - Jul 01 2022

web ines of my soul isabel allende 2020 06 30 a passionate tale of love freedom and conquest from the new york times

bestselling author of the house of the spirits isabel

the judges wife by isabel allende full text pdf book download - May 31 2022

web the judges wife by isabel allende pdf 15 tworsoftnanquo short story analysis the judge s wife by isabel allende character analysis of the judge s wife by isabel

the judges wife by isabel allende full text pdf book - Mar 29 2022

web jul 30 2023 the judges wife by isabel allende full text pdf book is available in our digital library an online access to it is set as public so you can download it instantly our book

the judges wife by isabel allende full text pdf book pdf - Sep 22 2021

the judge s wife isabel allende essay summaries essays - Jan 07 2023

web sep 11 2019 the judge s wife is set in a provincial latin american town that is sufficiently huge to have a town square yet sufficiently little so that none of the town s tenants are

[the judges wife by isabel allende full text book richard russo](#) - Apr 29 2022

web the judges wife by isabel allende full text pdf book downloaded from sql1 viewber co uk by guest haley colon the judge s wife casilda as an

the judges wife by isabel allende full text book 2023 - Oct 04 2022

web aphrodite isabel allende 1998 03 24 new york times bestselling author isabel allende celebrates the pleasures of the

sensual life in this rich joyful and slyly humorous book a

the judges wife by isabel allende full text pdf book pdf - Jan 27 2022

web mar 1 2023 enjoy now is the judges wife by isabel allende full text pdf book below focus on law studies 1993 summary of isabel allende s the soul of a woman everest

the judges wife by isabel allende full text pdf freedom - May 11 2023

web aug 11 2023 is the judges wife by isabel allende full text pdf book below literature and the writing process elizabeth mcMahon 2005 the japanese lover isabel allende 2015

the judges wife by isabel allende full text pdf poppy brite pdf - Jul 13 2023

web the judge s wife is a short story written by award winning author isabel allende the length of the book is roughly 104 pages and it was first published in 1996 by knopf

the judges wife by isabel allende full text book eduardo - Feb 08 2023

web the judge s wife was a short story written by isabel allende the story begins with an unnamed woman who is looking out of her window watching the rain fall the woman s

the judge s wife by isabel allende essay summaries essays - Jun 12 2023

web the judges wife by isabel allende full text pdf is available in our digital library an online access to it is set as public so you can get it instantly our books collection hosts in

the judges wife by isabel allende full text pdf book - Nov 24 2021

web may 14 2023 the judges wife by isabel allende full text pdf book 1 7 downloaded from uniport edu ng on may 14 2023 by guest the judges wife by isabel allende full text

the judges wife by isabel allende full text pdf book pdf - Oct 24 2021

the judges wife by isabel allende full text pdf book full pdf - Feb 25 2022

web apr 9 2023 download and install the judges wife by isabel allende full text pdf book suitably simple isabel allende mary ellen snodgrass 2013 02 23 isabel allende la