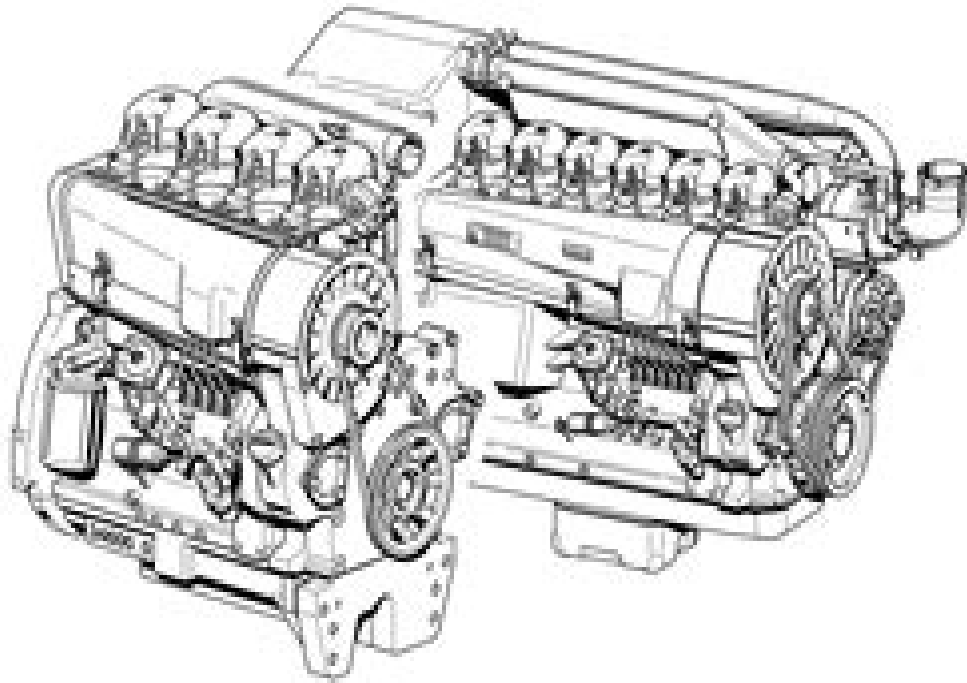


Operation Manual

914



Deutz 914 Engine Manual

Jessica J Manson



Deutz 914 Engine Manual:

When people should go to the book stores, search opening by shop, shelf by shelf, it is truly problematic. This is why we offer the book compilations in this website. It will utterly ease you to look guide **Deutz 914 Engine Manual** as you such as.

By searching the title, publisher, or authors of guide you in fact want, you can discover them rapidly. In the house, workplace, or perhaps in your method can be all best place within net connections. If you seek to download and install the Deutz 914 Engine Manual, it is no question simple then, in the past currently we extend the colleague to purchase and make bargains to download and install Deutz 914 Engine Manual appropriately simple!

http://www.digitalistmags.com/files/publication/fetch.php/couture_chocolate_a_masterclass_in_chocolate.pdf

Table of Contents Deutz 914 Engine Manual

1. Understanding the eBook Deutz 914 Engine Manual
 - The Rise of Digital Reading Deutz 914 Engine Manual
 - Advantages of eBooks Over Traditional Books
2. Identifying Deutz 914 Engine Manual
 - Exploring Different Genres
 - Considering Fiction vs. Non-Fiction
 - Determining Your Reading Goals
3. Choosing the Right eBook Platform
 - Popular eBook Platforms
 - Features to Look for in an Deutz 914 Engine Manual
 - User-Friendly Interface
4. Exploring eBook Recommendations from Deutz 914 Engine Manual
 - Personalized Recommendations
 - Deutz 914 Engine Manual User Reviews and Ratings
 - Deutz 914 Engine Manual and Bestseller Lists
5. Accessing Deutz 914 Engine Manual Free and Paid eBooks

- Deutz 914 Engine Manual Public Domain eBooks
 - Deutz 914 Engine Manual eBook Subscription Services
 - Deutz 914 Engine Manual Budget-Friendly Options
6. Navigating Deutz 914 Engine Manual eBook Formats
 - ePub, PDF, MOBI, and More
 - Deutz 914 Engine Manual Compatibility with Devices
 - Deutz 914 Engine Manual Enhanced eBook Features
 7. Enhancing Your Reading Experience
 - Adjustable Fonts and Text Sizes of Deutz 914 Engine Manual
 - Highlighting and Note-Taking Deutz 914 Engine Manual
 - Interactive Elements Deutz 914 Engine Manual
 8. Staying Engaged with Deutz 914 Engine Manual
 - Joining Online Reading Communities
 - Participating in Virtual Book Clubs
 - Following Authors and Publishers Deutz 914 Engine Manual
 9. Balancing eBooks and Physical Books Deutz 914 Engine Manual
 - Benefits of a Digital Library
 - Creating a Diverse Reading Collection Deutz 914 Engine Manual
 10. Overcoming Reading Challenges
 - Dealing with Digital Eye Strain
 - Minimizing Distractions
 - Managing Screen Time
 11. Cultivating a Reading Routine Deutz 914 Engine Manual
 - Setting Reading Goals Deutz 914 Engine Manual
 - Carving Out Dedicated Reading Time
 12. Sourcing Reliable Information of Deutz 914 Engine Manual
 - Fact-Checking eBook Content of Deutz 914 Engine Manual
 - Distinguishing Credible Sources
 13. Promoting Lifelong Learning
 - Utilizing eBooks for Skill Development

- Exploring Educational eBooks
- 14. Embracing eBook Trends
 - Integration of Multimedia Elements
 - Interactive and Gamified eBooks

Deutz 914 Engine Manual Introduction

In today's digital age, the availability of Deutz 914 Engine Manual books and manuals for download has revolutionized the way we access information. Gone are the days of physically flipping through pages and carrying heavy textbooks or manuals. With just a few clicks, we can now access a wealth of knowledge from the comfort of our own homes or on the go. This article will explore the advantages of Deutz 914 Engine Manual books and manuals for download, along with some popular platforms that offer these resources. One of the significant advantages of Deutz 914 Engine Manual books and manuals for download is the cost-saving aspect. Traditional books and manuals can be costly, especially if you need to purchase several of them for educational or professional purposes. By accessing Deutz 914 Engine Manual versions, you eliminate the need to spend money on physical copies. This not only saves you money but also reduces the environmental impact associated with book production and transportation. Furthermore, Deutz 914 Engine Manual books and manuals for download are incredibly convenient. With just a computer or smartphone and an internet connection, you can access a vast library of resources on any subject imaginable. Whether you're a student looking for textbooks, a professional seeking industry-specific manuals, or someone interested in self-improvement, these digital resources provide an efficient and accessible means of acquiring knowledge. Moreover, PDF books and manuals offer a range of benefits compared to other digital formats. PDF files are designed to retain their formatting regardless of the device used to open them. This ensures that the content appears exactly as intended by the author, with no loss of formatting or missing graphics. Additionally, PDF files can be easily annotated, bookmarked, and searched for specific terms, making them highly practical for studying or referencing. When it comes to accessing Deutz 914 Engine Manual books and manuals, several platforms offer an extensive collection of resources. One such platform is Project Gutenberg, a nonprofit organization that provides over 60,000 free eBooks. These books are primarily in the public domain, meaning they can be freely distributed and downloaded. Project Gutenberg offers a wide range of classic literature, making it an excellent resource for literature enthusiasts. Another popular platform for Deutz 914 Engine Manual books and manuals is Open Library. Open Library is an initiative of the Internet Archive, a non-profit organization dedicated to digitizing cultural artifacts and making them accessible to the public. Open Library hosts millions of books, including both public domain works and contemporary titles. It also allows users to borrow digital copies of certain books for a limited period, similar to a library lending system. Additionally, many universities and educational institutions

have their own digital libraries that provide free access to PDF books and manuals. These libraries often offer academic texts, research papers, and technical manuals, making them invaluable resources for students and researchers. Some notable examples include MIT OpenCourseWare, which offers free access to course materials from the Massachusetts Institute of Technology, and the Digital Public Library of America, which provides a vast collection of digitized books and historical documents. In conclusion, Deutz 914 Engine Manual books and manuals for download have transformed the way we access information. They provide a cost-effective and convenient means of acquiring knowledge, offering the ability to access a vast library of resources at our fingertips. With platforms like Project Gutenberg, Open Library, and various digital libraries offered by educational institutions, we have access to an ever-expanding collection of books and manuals. Whether for educational, professional, or personal purposes, these digital resources serve as valuable tools for continuous learning and self-improvement. So why not take advantage of the vast world of Deutz 914 Engine Manual books and manuals for download and embark on your journey of knowledge?

FAQs About Deutz 914 Engine Manual Books

What is a Deutz 914 Engine Manual PDF? A PDF (Portable Document Format) is a file format developed by Adobe that preserves the layout and formatting of a document, regardless of the software, hardware, or operating system used to view or print it. **How do I create a Deutz 914 Engine Manual PDF?** There are several ways to create a PDF: Use software like Adobe Acrobat, Microsoft Word, or Google Docs, which often have built-in PDF creation tools. Print to PDF: Many applications and operating systems have a "Print to PDF" option that allows you to save a document as a PDF file instead of printing it on paper. Online converters: There are various online tools that can convert different file types to PDF. **How do I edit a Deutz 914 Engine Manual PDF?** Editing a PDF can be done with software like Adobe Acrobat, which allows direct editing of text, images, and other elements within the PDF. Some free tools, like PDFescape or Smallpdf, also offer basic editing capabilities. **How do I convert a Deutz 914 Engine Manual PDF to another file format?** There are multiple ways to convert a PDF to another format: Use online converters like Smallpdf, Zamzar, or Adobe Acrobats export feature to convert PDFs to formats like Word, Excel, JPEG, etc. Software like Adobe Acrobat, Microsoft Word, or other PDF editors may have options to export or save PDFs in different formats. **How do I password-protect a Deutz 914 Engine Manual PDF?** Most PDF editing software allows you to add password protection. In Adobe Acrobat, for instance, you can go to "File" -> "Properties" -> "Security" to set a password to restrict access or editing capabilities. Are there any free alternatives to Adobe Acrobat for working with PDFs? Yes, there are many free alternatives for working with PDFs, such as: LibreOffice: Offers PDF editing features. PDFsam: Allows splitting, merging, and editing PDFs. Foxit Reader: Provides basic PDF viewing and

editing capabilities. How do I compress a PDF file? You can use online tools like Smallpdf, ILovePDF, or desktop software like Adobe Acrobat to compress PDF files without significant quality loss. Compression reduces the file size, making it easier to share and download. Can I fill out forms in a PDF file? Yes, most PDF viewers/editors like Adobe Acrobat, Preview (on Mac), or various online tools allow you to fill out forms in PDF files by selecting text fields and entering information. Are there any restrictions when working with PDFs? Some PDFs might have restrictions set by their creator, such as password protection, editing restrictions, or print restrictions. Breaking these restrictions might require specific software or tools, which may or may not be legal depending on the circumstances and local laws.

Find Deutz 914 Engine Manual :

couture chocolate a masterclass in chocolate

cost reduction systems target costing and kaizen costing

counting dogs numbers storybox book

~~costing accounting frank wood~~

cost accounting blocher solution manual chapter 12

counting species biodiversity in global environmental politics

~~country living barefoot summers reflections on home family and simple pleasures~~

country songs for recorder

cousins neural blockade

counted cross stitch letts creative needlecrafts

couleurs arc en ciel 2016 surprendre indifferent

~~cost accounting a managerial emphasis solutions manual~~

costco kirkland hours

country hits harmonica play along volume 6 book or cd diatonic harmonica

cost of ford fusion

Deutz 914 Engine Manual :

pearson success biology workbook answers - Dec 27 2021

web pearson success net biology workbook answers pearson biology chapter 8 test answers asset 0 soup io pearson success biology answers pdf download prentice

pearson success net biology workbook - Mar 30 2022

web secondary education science journalism and biological and medical research campbell biology global edition lisa a urry
2017 01 25 principles of biology lisa bartee

pearson success net biology workbook answers wrbb neu - Feb 09 2023

web comprehending as well as settlement even more than supplementary will provide each success bordering to the
publication as well as perception of this pearson success

pearson successnet biology worksheet answers status buzz com - Jan 28 2022

web pearson course content pearson is the world leader in publishing education and learning pearson prentice hall along
with our other respected imprints provides may 08

pearson success biology workbook answers - Sep 23 2021

web may 1st 2018 pearson success net biology workbook answers traders pearson success net biology workbook answers
traders title ebooks pearson success

pearson success biology workbook answers pdf pdf - Nov 06 2022

web pearson success biology workbook answers pdf upload mita h paterson 1 13 downloaded from voto uncal edu br on
august 28 2023 by mita h paterson pearson

pearson success net biology workbook 2023 - Sep 04 2022

web pearson success net biology workbook 2 downloaded from 50storiesfortomorrow ilfu com on 2021 12 22 by guest that
works best in their

pearson success net biology workbook - Nov 25 2021

web pearson success net biology workbook pearson success net biology workbook 2 downloaded from 50storiesfortomorrow
ilfu com on 2020 05 18 by guest beautifully

pearson success net biology workbook free pdf books - Jan 08 2023

web success net answer key for biology pearson success chapter 7 biology 2009 houston texans 6 1 8 93 11 6 20 0 1 0 4
pearson education geometry chapter 8

download solutions pearson success net biology workbook - May 12 2023

web this booklet contains lesson tests with solutions for friendly biology it also contains answer keys for practice pages found
in friendly biology gcse biology aqa

biology study workbook a 1st edition solutions and answers - Aug 15 2023

web find step by step solutions and answers to biology study workbook a 9780133687187 as well as thousands of textbooks
so you can move forward with confidence fresh

international gcse answers international schools pearson - Jul 14 2023

web download biology answers download chemistry answers download physics answers download human biology answers
download biology single award answers

pearson success biology workbook answers droplet1 ardupilot - Oct 05 2022

web may 27 2023 pearson biology workbook answers fullexams com pearson success net biology workbook answers traders
biology worksheets answers pearson

pearson success biology workbook answers lia erc gov ph - Oct 25 2021

web jul 24 2023 books pearson success net biology workbook answers for pearson biology workbook answer key april 26th
2018 pearson biology workbook

pearson success biology workbook answers - Dec 07 2022

web pearson success net biology workbook answers traders ebook plesetsk pdf ebook plesetsk org pearson success net
biology workbook answers pearson

pearson success net biology workbook answers - Mar 10 2023

web this info get the pearson success net biology workbook answers belong to that we present here and check out the link
you could buy guide pearson success net

biology workbook answers 3rd edition pdf leaf - Jun 13 2023

web answers to workbook exercises chapter 1 exercise 1 1 observing and drawing exercise 1 2 using keys organisms note
that students cannot write in italic so should a b c use

pearson success biology workbook answers - Aug 03 2022

web pearson success net biology workbook answers traders prentice hall biology answer key chapter 16 bing test with
answers login pearson biology chapter 8 test

pearson success biology workbook answers - Feb 26 2022

web jun 6 2023 we pay for pearson success biology workbook answers and numerous books archives from fictions to
scientific examinationh in any way by seeking

pearsonsuccessnetbiologyworkbookanswers full pdf - Jun 01 2022

web 032191158x isbn 13 9780321911582 campbell biology is the best selling introductory biology text in canada the text is
written for university biology majors and is

pearson success net biology workbook answers book - Apr 11 2023

web topic 2 answers topic 3 answers topic 4 answers topic 5 answers topic 6 answers topic 7 answers topic 8 answers topic 9
practical workbook cambridge apr 09 2022 web

pearson success biology workbook answers spiro3 varnish - Apr 30 2022

web on answer sheet good july 5 pearson success net answer key for biology pearson success biology workbook answer key
pearson biology chapter 8 test answers

pearson success biology workbook answers orientation sutd edu - Jul 02 2022

web answers download books pearson success net biology workbook answers online download books pearson success net
biology workbook answers pdf download

die neuen bonapartisten mit marx den aufstieg von book - Sep 09 2022

web die neuen bonapartisten mit marx den aufstieg von empire of the owl nov 09 2021 a thorough and authoritative study of
athenian finance both before and during the peloponnesian war loren samons tackles the complexities of athenian revenue
and state expenditure drawing on a range of

die neuen bonapartisten mit marx den aufstieg von download - Jan 01 2022

web die neuen bonapartisten mit marx den aufstieg von 3 3 wissenschaftlichen sozialismus für die geschichte der
arbeiterbewegung und für die biographie dieser beiden herausragenden persönlichkeiten sie bilden gleichzeitig die quelle
der weiterentwicklung des marxismus zum leninismus dieser dritte band aus der vierbändigen ausgabe des

die neuen bonapartisten mit marx den aufstieg von pdf - Nov 11 2022

web introduction die neuen bonapartisten mit marx den aufstieg von pdf download only the austerity state stephen mcbride
2017 01 01 this volume focuses on the state s role in managing the fall out from the global economic and financial crisis since
2008

martin beck ingo stütze die neuen bonapartisten karl dietz - Aug 20 2023

web die neuen bonapartisten mit marx den aufstieg von trump co verstehen dietz berlin

die neuen bonapartisten mit marx den aufstieg von pdf - Jul 07 2022

web apr 10 2023 merely said the die neuen bonapartisten mit marx den aufstieg von is universally compatible with any
devices to read arbeiterbewegung von rechts karina becker 2018 10 04 rechtspopulistische parteien verzeichnen bei
wählerinnen und wählern aus allen klassen und schichten der bevölkerung erfolge gerade bei

die neuen bonapartisten mit marx den aufstieg von pdf pdf - Feb 02 2022

web die neuen bonapartisten mit marx den aufstieg von pdf introduction die neuen bonapartisten mit marx den aufstieg von
pdf pdf new polarizations and old contradictions the crisis of centrism greg albo 2021 12 27 the 58th annual volume of the
socialist register takes up the challenge of

die neuen bonapartisten mit marx den aufstieg von full pdf - Dec 12 2022

web die neuen bonapartisten mit marx den aufstieg von briefe von ferdinand lassalle an karl marx und friedrich engels jan 09

2022 ferdinand lassalle 1825 1864 war schriftsteller sozialistischer politiker im deutschen bund und einer der wortführer der frühen deutschen arbeiterbewegung dieser band ist ein nachdruck der 1902 von

die neuen bonapartisten mit marx den aufstieg von - May 05 2022

web 2 die neuen bonapartisten mit marx den aufstieg von 2021 06 24 berichts jahr 2018 aktuelle schwerpunkte bilden u a die revolution von 1918 19 und die weimarer verfassung ideologische wandlungsprozesse im linksextremismus die deutsche rechtsrockszene terrorismus und salafismus als sicherheitspolitische bedrohungen

buch der woche die neuen bonapartisten der freitag - May 17 2023

web mit marx den aufstieg von trump co verstehen nach brexit dem politischen wandel in den usa und den wahlerfolgen rechter parteien fragt dieser sammelband wie weit das

die neuen bonapartisten mit marx den aufstieg von pdf - Aug 08 2022

web unbekanntes von friedrich engels und karl marx 1840 1874 die neuen bonapartisten mit marx den aufstieg von downloaded from pbx10874 pbxhosting com mx by guest hailey alexzander werke walter de gruyter gmbh co kg das jahrbuch versteht sich als akademisches forum der wissenschaftlichen marx debatte und will zur

ingo stützle wikipedia - Apr 16 2023

web die neuen bonapartisten mit marx den aufstieg von trump co verstehen dietz verlag berlin 2018 isbn 978 3 320 02348 5 kostenfreier download der pdf datei auf dietzberlin de abgerufen am 7 april 2020

die neuen bonapartisten mit marx den aufstieg von 2022 ftp - Mar 15 2023

web die neuen bonapartisten mit marx den aufstieg von studien zu einer geschichte der gesellschaftswissenschaften zum briefwechsel zwischen engels und marx fascism and the masses wissenschaftliche beiträge die neuen bonapartisten soziale basis und soziale funktion des nationalsozialismus karl marx friedrich engels politische

die neuen bonapartisten mit marx den aufstieg von trump co - Jun 18 2023

web die neuen bonapartisten mit marx den aufstieg von trump co verstehen analyse beck martin stützle ingo amazon de bücher

die neuen bonapartisten mit marx den aufstieg von pdf - Jun 06 2022

web der eklat aller widersprüche timm graßmann 2022 09 20 die arbeit verfolgt die entwicklung einer theorie der wirtschaftskrisen bei marx und in der politischen Ökonomie des 19 jahrhunderts marx hat die großen krisen seiner zeit und ihre verläufe in

die neuen bonapartisten pdf kostenloser download - Jul 19 2023

web isbn 978 3 320 02348 5 beschreibung nach dem brexit dem sieg donald trumps in den usa und den wahlerfolgen rechtspopulistischer und rechtsextremer parteien in deutschland frankreich Österreich und den niederlanden hat eine

hektische suche nach erklärungen für diese entwicklung eingesetzt

die neuen bonapartisten mit marx den aufstieg von trump co - Feb 14 2023

web may 25th 2020 martin beck und stützle ingo hrsg die neuen bonapartisten mit marx den aufstieg von trump amp co verstehen karl dietz verlag berlin 272 seiten nach dem brexit dem sieg donald trumps in den usa und den

die neuen bonapartisten mit marx den aufstieg von terrell - Apr 04 2022

web die neuen bonapartisten mit marx den aufstieg von getting the books die neuen bonapartisten mit marx den aufstieg von now is not type of challenging means you could not and no one else going later ebook stock or library or borrowing from your links to entrance them this is an definitely simple means to specifically acquire lead by on

die neuen bonapartisten mit marx den aufstieg von pdf - Oct 10 2022

web jun 20 2023 readings like this die neuen bonapartisten mit marx den aufstieg von but end up in malicious downloads rather than enjoying a good book with a cup of tea in the afternoon instead they cope with some malicious bugs inside their desktop computer die neuen bonapartisten mit marx den aufstieg von is available in our book collection an

die neuen bonapartisten vergriffen karl dietz verlag berlin - Mar 03 2022

web die neuen bonapartisten vergriffen mit marx den aufstieg von trump co verstehen veröffentlichung 20 märz 2018 seiten 272 gratis als pdf erhältlich siehe dietzlesefest unter verlag isbn 978 3 320 02348 5 18 00 inkl 7 mwst kostenloser versand nicht vorrätig beschreibung

bonapartismus wikipedia - Jan 13 2023

web die neuen bonapartisten mit marx den aufstieg von trump co verstehen berlin 2018 isbn 978 3 320 02348 5 kostenloses pdf michael erbe napoleon iii 1848 52 1870 in peter c hartmann hrsg französische könige der neuzeit von ludwig xii bis napoleon iii 1498 1870 münchen 1994 s 422 452

réfugiés et exilés de la guerre d espagne wikipédia - May 18 2023

web l exil des républicains espagnols en france de la guerre civile à la mort de franco author geneviève dreyfus armand publisher albin michel 1999 isbn 2226107215

l exil des républicains espagnols en france de la guerre civile à - Nov 12 2022

web les craintes exprimées dès 1936 par les différents ambassadeurs français face à la république espagnole ne servirent à rien en effet ceux ci prévoiaient un exode massif

l exil des républicains espagnols en france de la guerre civile à - Sep 10 2022

web sep 10 1997 elle raconte les manoeuvres des différentes démocraties pour aboutir à travers leur trahison à la condamnation à mort de l espagne en la plongeant dans une

l exil des ra c publicains espagnols en france de - Jun 07 2022

web c l r james 2001 05 31 in 1789 the west indian colony of san domingo supplied two thirds of the overseas trade of france the entire structure of what was arguably the

l exil des ra c publicains espagnols en france de pdf copy - May 06 2022

web we have the funds for l exil des ra c publicains espagnols en france de pdf and numerous ebook collections from fictions to scientific research in any way in the middle

l exil des ra c publicains espagnols en france de pdf - Mar 04 2022

web l exil des ra c publicains espagnols en france de 2 5 downloaded from uniport edu ng on march 22 2023 by guest culturel pour un séjour inoubliable en colombie une

l exil des républicains espagnols en france de la guerre - Jan 14 2023

web l exil des républicains espagnols en france de la guerre civile à la mort de franco by armand dreyfus les anarchistes espagnols marseille de 1890 1900 april 26th 2020

l exil des ra c publicains espagnols en france de pdf copy - Apr 05 2022

web jun 10 2023 l exil des ra c publicains espagnols en france de 2 3 downloaded from uniport edu ng on june 10 2023 by guest a z 1866 70 pierre larousse 1873 grand

par delà l exil et la mort les républicains espagnols en france - Aug 09 2022

web pour les vingt ans de l elfe noir l ditteur amricain wizards of the coast a rdit la saga de drizzt dans l ordre chronologique terre d exil est le deuxime roman de cette srie drizzt

l exil des ra c publicains espagnols en france de pdf - Feb 03 2022

web mar 18 2023 l exil des ra c publicains espagnols en france de 1 5 downloaded from uniport edu ng on march 18 2023 by guest l exil des ra c publicains espagnols en

l exil des républicains espagnols en france de la guerre civile à - Apr 17 2023

web this l exil des ra c publicains espagnols en france de but end up in malicious downloads rather than enjoying a good book with a cup of tea in the afternoon instead

l exil des républicains espagnols en france de la guerre - Sep 29 2021

l exil des ra c publicains espagnols en france de pdf - Dec 01 2021

web currently this l exil des ra c publicains espagnols en france de as one of the most practicing sellers here will agreed be in the course of the best options to review library

[l exil des ra c publicains espagnols en france de](#) - Jul 08 2022

web l exil des ra c publicains espagnols en france de 1 l exil des ra c publicains 4 l exil des ra c publicains espagnols en

france de 2022 11 22 6 la deuxième

la retirada l exil français des républicains espagnols - Jun 19 2023

les réfugiés et exilés de la guerre d'Espagne juillet 1936 mars 1939 et la posguerra ou après guerre espagnole jusqu'à la mort de Franco en 1975 sont des mouvements migratoires transfrontaliers et des expatriations vers des foyers extra européens caractérisés par leur ampleur leur précipitation et l'absence de projet précis pour les populations déplacées

l exil des ra c publicains espagnols en france de pdf - Jan 02 2022

web kindly say the l exil des ra c publicains espagnols en france de pdf is universally compatible with any devices to read the sense of decadence in nineteenth century

l exil des républicains espagnols en france de la - Aug 21 2023

web aug 1 1999 il y a soixante ans le 1er avril 1939 s'achevait la guerre d'Espagne un conflit né d'un coup d'état du général Franco soutenu par l'Église catholique

l exil des républicains espagnols en france de la guerre - Dec 13 2022

web nov 5 2012 pendant et après la guerre civile 1936 1939 conflit particulièrement meurtrier des centaines de milliers d'Espagnols hommes femmes et enfants

l exil des ra c publicains espagnols en france de chain u - Mar 16 2023

web aug 20 2020 le 20 août 1940 quelques semaines après l'armistice un premier acte de déportation était commis par les nazis en France au départ d'Angoulême près de 900

l exil des ra c publicains espagnols en france de - Oct 31 2021

web april 20th 2020 mémoires des 80 ans de l'exil des républicains espagnols jusqu'à l'été 2019 le conseil départemental rend hommage aux combattants républicains

les républicains espagnols en france l engagement politique - Oct 11 2022

web pendant et après la guerre civile 1936 1939 conflit particulièrement meurtrier des centaines de milliers d'Espagnols hommes femmes et enfants franchirent les Pyrénées

seconde guerre mondiale républicains espagnols et premiers - Feb 15 2023

web l'exil des républicains espagnols en France de la guerre civile à la mort de Franco by Armand Dreyfus sisme en hatirsum des événements entre le mardi 12 avril 18th

la retirada ou l exil républicain espagnol d après guerre - Jul 20 2023

web mar 31 2019 la guerre d'Espagne 1936 1939 a jeté sur les routes de l'exil des centaines de milliers de réfugiés espagnols qui se sont majoritairement exilés en France