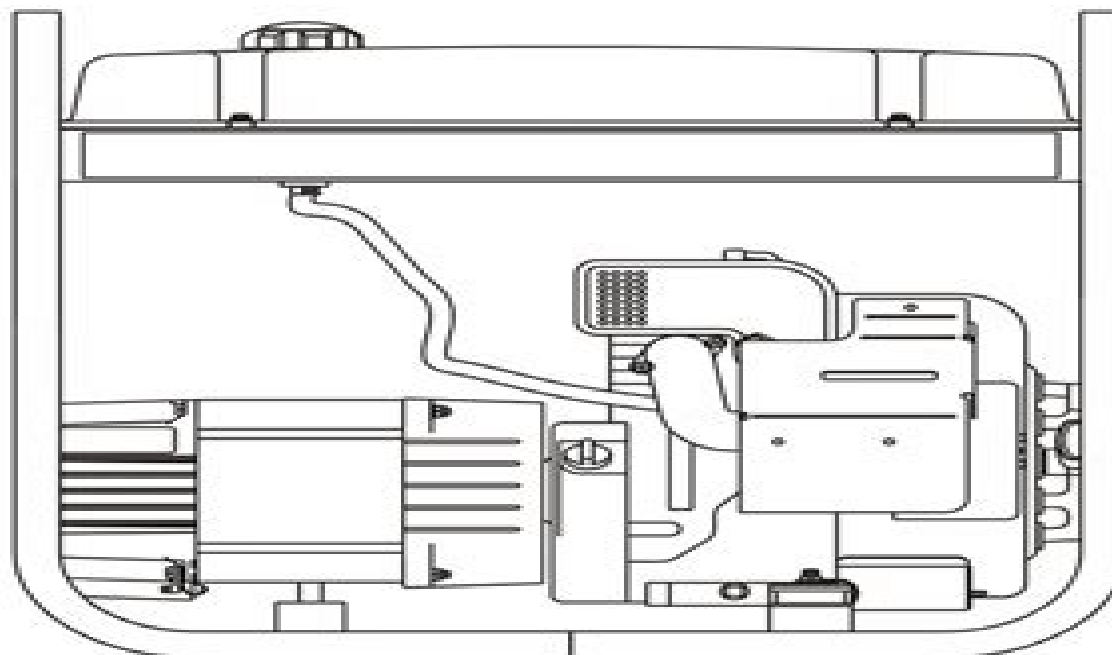


PM0525202.03

Insert
Additif
Adición

Coleman  **Powermate**[®]

**ELECTRIC GENERATOR
GROUPE ELECTROGENE
GENERADOR ELECTRICO**



IMPORTANT – Please make certain that persons who are to use this equipment thoroughly read and understand these instructions and any additional instructions provided prior to operation.

IMPORTANT - Prière de vous assurer que les personnes destinées à utiliser cet appareil ont pris soin d'en lire et d'en comprendre le mode d'emploi ou les directives avant de le mettre en marche.

IMPORTANTE. Asegúrese que las personas que utilizarán este equipo lean y entiendan completamente estas instrucciones y cualquier instrucción adicional proporcionada antes del funcionamiento.

Coleman Powermate 5500 Generator Manual

J Spring



Coleman Powermate 5500 Generator Manual:

Immerse yourself in the artistry of words with Experience Art with its expressive creation, Immerse Yourself in **Coleman Powermate 5500 Generator Manual** . This ebook, presented in a PDF format (*), is a masterpiece that goes beyond conventional storytelling. Indulge your senses in prose, poetry, and knowledge. Download now to let the beauty of literature and artistry envelop your mind in a unique and expressive way.

<http://www.digitalistmags.com/book/Resources/fetch.php/cities%20steering%20towards%20sustainability%20a%20planet%20for%20life%20book%206.pdf>

Table of Contents Coleman Powermate 5500 Generator Manual

1. Understanding the eBook Coleman Powermate 5500 Generator Manual
 - The Rise of Digital Reading Coleman Powermate 5500 Generator Manual
 - Advantages of eBooks Over Traditional Books
2. Identifying Coleman Powermate 5500 Generator Manual
 - Exploring Different Genres
 - Considering Fiction vs. Non-Fiction
 - Determining Your Reading Goals
3. Choosing the Right eBook Platform
 - Popular eBook Platforms
 - Features to Look for in an Coleman Powermate 5500 Generator Manual
 - User-Friendly Interface
4. Exploring eBook Recommendations from Coleman Powermate 5500 Generator Manual
 - Personalized Recommendations
 - Coleman Powermate 5500 Generator Manual User Reviews and Ratings
 - Coleman Powermate 5500 Generator Manual and Bestseller Lists
5. Accessing Coleman Powermate 5500 Generator Manual Free and Paid eBooks
 - Coleman Powermate 5500 Generator Manual Public Domain eBooks
 - Coleman Powermate 5500 Generator Manual eBook Subscription Services

- Coleman Powermate 5500 Generator Manual Budget-Friendly Options
- 6. Navigating Coleman Powermate 5500 Generator Manual eBook Formats
 - ePub, PDF, MOBI, and More
 - Coleman Powermate 5500 Generator Manual Compatibility with Devices
 - Coleman Powermate 5500 Generator Manual Enhanced eBook Features
- 7. Enhancing Your Reading Experience
 - Adjustable Fonts and Text Sizes of Coleman Powermate 5500 Generator Manual
 - Highlighting and Note-Taking Coleman Powermate 5500 Generator Manual
 - Interactive Elements Coleman Powermate 5500 Generator Manual
- 8. Staying Engaged with Coleman Powermate 5500 Generator Manual
 - Joining Online Reading Communities
 - Participating in Virtual Book Clubs
 - Following Authors and Publishers Coleman Powermate 5500 Generator Manual
- 9. Balancing eBooks and Physical Books Coleman Powermate 5500 Generator Manual
 - Benefits of a Digital Library
 - Creating a Diverse Reading Collection Coleman Powermate 5500 Generator Manual
- 10. Overcoming Reading Challenges
 - Dealing with Digital Eye Strain
 - Minimizing Distractions
 - Managing Screen Time
- 11. Cultivating a Reading Routine Coleman Powermate 5500 Generator Manual
 - Setting Reading Goals Coleman Powermate 5500 Generator Manual
 - Carving Out Dedicated Reading Time
- 12. Sourcing Reliable Information of Coleman Powermate 5500 Generator Manual
 - Fact-Checking eBook Content of Coleman Powermate 5500 Generator Manual
 - Distinguishing Credible Sources
- 13. Promoting Lifelong Learning
 - Utilizing eBooks for Skill Development
 - Exploring Educational eBooks
- 14. Embracing eBook Trends

-
- Integration of Multimedia Elements
 - Interactive and Gamified eBooks

Coleman Powermate 5500 Generator Manual Introduction

Free PDF Books and Manuals for Download: Unlocking Knowledge at Your Fingertips In today's fast-paced digital age, obtaining valuable knowledge has become easier than ever. Thanks to the internet, a vast array of books and manuals are now available for free download in PDF format. Whether you are a student, professional, or simply an avid reader, this treasure trove of downloadable resources offers a wealth of information, conveniently accessible anytime, anywhere. The advent of online libraries and platforms dedicated to sharing knowledge has revolutionized the way we consume information. No longer confined to physical libraries or bookstores, readers can now access an extensive collection of digital books and manuals with just a few clicks. These resources, available in PDF, Microsoft Word, and PowerPoint formats, cater to a wide range of interests, including literature, technology, science, history, and much more. One notable platform where you can explore and download free Coleman Powermate 5500 Generator Manual PDF books and manuals is the internet's largest free library. Hosted online, this catalog compiles a vast assortment of documents, making it a veritable goldmine of knowledge. With its easy-to-use website interface and customizable PDF generator, this platform offers a user-friendly experience, allowing individuals to effortlessly navigate and access the information they seek. The availability of free PDF books and manuals on this platform demonstrates its commitment to democratizing education and empowering individuals with the tools needed to succeed in their chosen fields. It allows anyone, regardless of their background or financial limitations, to expand their horizons and gain insights from experts in various disciplines. One of the most significant advantages of downloading PDF books and manuals lies in their portability. Unlike physical copies, digital books can be stored and carried on a single device, such as a tablet or smartphone, saving valuable space and weight. This convenience makes it possible for readers to have their entire library at their fingertips, whether they are commuting, traveling, or simply enjoying a lazy afternoon at home. Additionally, digital files are easily searchable, enabling readers to locate specific information within seconds. With a few keystrokes, users can search for keywords, topics, or phrases, making research and finding relevant information a breeze. This efficiency saves time and effort, streamlining the learning process and allowing individuals to focus on extracting the information they need. Furthermore, the availability of free PDF books and manuals fosters a culture of continuous learning. By removing financial barriers, more people can access educational resources and pursue lifelong learning, contributing to personal growth and professional development. This democratization of knowledge promotes intellectual curiosity and empowers individuals to become lifelong learners, promoting progress and innovation in various fields. It is worth noting that while accessing free Coleman Powermate 5500 Generator Manual PDF books and manuals is

convenient and cost-effective, it is vital to respect copyright laws and intellectual property rights. Platforms offering free downloads often operate within legal boundaries, ensuring that the materials they provide are either in the public domain or authorized for distribution. By adhering to copyright laws, users can enjoy the benefits of free access to knowledge while supporting the authors and publishers who make these resources available. In conclusion, the availability of Coleman Powermate 5500 Generator Manual free PDF books and manuals for download has revolutionized the way we access and consume knowledge. With just a few clicks, individuals can explore a vast collection of resources across different disciplines, all free of charge. This accessibility empowers individuals to become lifelong learners, contributing to personal growth, professional development, and the advancement of society as a whole. So why not unlock a world of knowledge today? Start exploring the vast sea of free PDF books and manuals waiting to be discovered right at your fingertips.

FAQs About Coleman Powermate 5500 Generator Manual Books

1. Where can I buy Coleman Powermate 5500 Generator Manual books? Bookstores: Physical bookstores like Barnes & Noble, Waterstones, and independent local stores. Online Retailers: Amazon, Book Depository, and various online bookstores offer a wide range of books in physical and digital formats.
2. What are the different book formats available? Hardcover: Sturdy and durable, usually more expensive. Paperback: Cheaper, lighter, and more portable than hardcovers. E-books: Digital books available for e-readers like Kindle or software like Apple Books, Kindle, and Google Play Books.
3. How do I choose a Coleman Powermate 5500 Generator Manual book to read? Genres: Consider the genre you enjoy (fiction, non-fiction, mystery, sci-fi, etc.). Recommendations: Ask friends, join book clubs, or explore online reviews and recommendations. Author: If you like a particular author, you might enjoy more of their work.
4. How do I take care of Coleman Powermate 5500 Generator Manual books? Storage: Keep them away from direct sunlight and in a dry environment. Handling: Avoid folding pages, use bookmarks, and handle them with clean hands. Cleaning: Gently dust the covers and pages occasionally.
5. Can I borrow books without buying them? Public Libraries: Local libraries offer a wide range of books for borrowing. Book Swaps: Community book exchanges or online platforms where people exchange books.
6. How can I track my reading progress or manage my book collection? Book Tracking Apps: Goodreads, LibraryThing, and Book Catalogue are popular apps for tracking your reading progress and managing book collections. Spreadsheets: You can create your own spreadsheet to track books read, ratings, and other details.

7. What are Coleman Powermate 5500 Generator Manual audiobooks, and where can I find them? Audiobooks: Audio recordings of books, perfect for listening while commuting or multitasking. Platforms: Audible, LibriVox, and Google Play Books offer a wide selection of audiobooks.
8. How do I support authors or the book industry? Buy Books: Purchase books from authors or independent bookstores. Reviews: Leave reviews on platforms like Goodreads or Amazon. Promotion: Share your favorite books on social media or recommend them to friends.
9. Are there book clubs or reading communities I can join? Local Clubs: Check for local book clubs in libraries or community centers. Online Communities: Platforms like Goodreads have virtual book clubs and discussion groups.
10. Can I read Coleman Powermate 5500 Generator Manual books for free? Public Domain Books: Many classic books are available for free as they're in the public domain. Free E-books: Some websites offer free e-books legally, like Project Gutenberg or Open Library.

Find Coleman Powermate 5500 Generator Manual :

~~cities steering towards sustainability a planet for life book 6~~

~~cinderella geillustreerd tijdschrift voor de vrouw 2e jaargang no 6 juli 1947~~

~~cisco asa configuration richard deal~~

~~citi golf 1990 engine manual~~

~~cima e1 study notes 2013~~

~~cisco dpc3000 manual~~

~~cincinnati observed architecture and history urban life and urban landscape~~

~~cinta pangeran es~~

~~cinderella wore combat boots 1night stand book 31~~

~~circuit city cell phones~~

~~cim coursebook 0304 marketing environment cim workbooks 200304 editions~~

~~circuits instructor solutions manual ulaby~~

~~cisco network security~~

~~eine scapes cinematic spaces in architecture and cities by richard koeck 2012-10-04~~

~~cisco student guide~~

Coleman Powermate 5500 Generator Manual :

The Norton Sampler: Short Essays for Composition (Eighth ... A trusted collection of short essays arranged by rhetorical mode—with charming, practical writing instruction. With 71 readings (half new to this edition), ... The Norton Sampler | Thomas Cooley Short, diverse essays that spark students' interest—now with more reading support., The Norton Sampler, Thomas Cooley, 9780393537123. The Norton Sampler: Short Essays for Composition ... A trusted collection of short essays arranged by rhetorical mode—with charming, practical writing instruction. The Norton Sampler: Short Essays for Composition (Eighth ... This new edition shows students thatdescription, narration, and the other patterns of exposition are notjust abstract concepts used in composition classrooms ... The Norton Sampler: Short Essays for Composition (Eighth ... The Norton Sampler: Short Essays for Composition (Eighth Edition) ; ISBN: 0393919463 ; Authors: Cooley, Thomas ; Edition: Eighth ; Publisher: W. W. Norton & Company ... The Norton Sampler: Short Essays for Composition (Eighth ... The Norton Sampler: Short Essays for Composition (Eighth Edition) - satisfaction guaranteed. Give this Used Book by Cooley, Thomas a good home. 8th edition. The Norton Sampler: Short Essays for Composition (Eighth ... The Norton Sampler: Short Essays for Composition (Eighth Edition) - VERY GOOD ; Item Number. 274336187371 ; Brand. Unbranded ; MPN. Does not apply ; Accurate ... The Norton Sampler: Short Essays for Composition A trusted collection of short essays arranged by rhetorical mode—with charming, practical writing instruction. With 71 readings (half new to this edition), ... The Norton Sampler: Short Essays for Composition Eighth ... The Norton Sampler: Short Essays for Composition Eighth Edition , Pre-Owned Paperback 0393919463 9780393919462 Thomas Cooley · How you'll get this item: · About ... The Norton Sampler Short Essays for Composition | Buy Edition: 8th edition ; ISBN-13: 978-0393919462 ; Format: Paperback/softback ; Publisher: WW Norton - College (2/1/2013) ; Dimensions: 5.9 x 7.9 x 1 inches. YMS3e Resources used with Yates, Moore, Starnes “The Practice of Statistics, 3rd Edition” in AP Statistics at LSHS. ... Case Closed: CaseClosedHandout4.pdf. Bullet CaseClosed4. 9 Caseclosed Answer Sheet 1 - Yms2e: Chapter 9 Name YMS2E: CHAPTER 9 NAME:_ Case Closed Building Better Batteries Review the information in the Battery Case Study from. ... AP STAT STATISTICS. 2 · Physics Phet ... Case Closed Case Closed. Can Magnets Help Reduce Pain? Chapter “P”. AP Stats. Page 2. I: Data Analysis. Answer the key questions: Who: 50 polio patients who reported pain ... CASE STUDY - Can magnets help reduce pain? Answers to Case Closed! 1. (a) Who? The individuals are the. 50 polio ... Were these available data or new data produced to answer a current question? b. Is ... AP Statistics Chapter 3 Examining Relationship Case Closed AP Statistics Chapter 3 Examining Relationships Case Closed Baseballs Answers 1 ... was -61.09 homeruns hit.The intercept has not practical interpretation in this ... Exercise 1, Chapter 6: Random Variables, The Practice of ... 6.3 Case Closed. 408. Exercise 1. 409. Exercise 2. 409. Exercise 3. 409. Exercise 4 ... Exercise 2.93, 2.5 Exercises, Statistics, 13 Edition Answer. Q. Exercise ... Ap Statistics Case Closed Answers How to edit ap statistics case closed answers online ... Log in. Click Start Free Trial and create a profile if necessary. 2. Prepare a file. Use the Add New ...

Case Closed Nielsen Ratings Chapter 1 AP Stats at LSHS ... 1 Case Closed Nielsen Ratings Chapter 1 AP Stats at LSHS Mr. · 2 I: Graphical Analysis 1. · 3 II: Numerical Analysis 2. · 4 III: Outliers 3. Case Closed The New SAT Chapter 2 AP Stats at LSHS Mr ... I: Normal Distributions 1. SAT Writing Scores are $N(516, 115)$ What score would place a student in the 65th Percentile? 516 SAT Writing Scores $\approx N(516, \dots)$ Probability Case Closed - Airport Security Using what you have learnt about simulations and probability, you should now be able to answer ... AP STATISTICS | Case Closed! ANSWERS: 1. False-negative when ... Test-Bank-for-Business-and-Society-Ethics-Sustainability- ... View Test prep - Test-Bank-for-Business-and-Society-Ethics-Sustainability-and-Stakeholder-Management-8th-Edition-Arch from MARKETING 1010 at Macomb ... Stakeholder Management Carroll 8th Edition Test Bank Business and Society Ethics Sustainability and Stakeholder Management Carroll 8th Edition Test Bank Download - Free download as PDF File (.pdf), ... Full Download Business and Society Ethics Sustainability ... Full Download Business and Society Ethics Sustainability and Stakeholder Management 8th Edition Carroll Test Bank - Free download as PDF File (.pdf), ... Business and Society Ethics Sustainability and ... Mar 2, 2023 — Business and Society Ethics Sustainability and Stakeholder Management 8th Edition Carroll Test Bank Full download: <http://testbanktip.com> ... Donloadable Test Bank for Business A Changing World ... Donloadable Test Bank for Business A Changing World 8th Edition Ferrell 2 ; Chapter 02 · True / False Questions ; Multiple Choice Questions. 7. The principles and ... Test Bank for Business and Society: Ethics, Sustainability ... Test Bank for Business and Society: Ethics, Sustainability, and Stakeholder Management, 9th Edition, Archie B. Carroll, Ann K. Buchholtz, ISBN-10: 1285734297, ... Statistics for Business and Economics 8th Edition Newbold ... Mar 14, 2023 — Statistics for Business and Economics 8th Edition Newbold Test Bank Full download: ... Test Bank for Business Driven Technology 8th Edition ... May 31, 2023 — Test Bank for Business Driven Technology 8th Edition Baltzan / All Chapters 1 - 19 / Full Complete. Ethics and Stakeholder Management, 7th Edition Business & Society: Ethics and Stakeholder Management, Seventh Edition, ... Test Bank so that they may be duplicated and used in class ! A revised Instructor's ...